

# PYLLE®



## view

15" CEILING MOUNT TFT-LCD MONITOR



PLVW1550IR

# Table of Contents

1. Table of Contents-----	1
2. Warning -----	1
3. Usage Notice -----	2
4. Package -----	3
5. Function Descriptions -----	4
6. Start Your Installation-----	4
7. Setting Up The Dome Lamps-----	5
8. Installation Your Monitor-----	6
9. Operating the Monitor-----	7
10. Closing Monitor -----	7
11. OSD Menus in A/V Source -----	8
12. Remote Control-----	9
13. Appendix-----	9
14. Specifications -----	10

## Usage Notice

Follow all warnings, precautions and maintenance as recommended in this user's manual to maximize the life of your LCD monitor

- ⊘. To avoid the damage of the LCD monitor and risk of electronic shock, do not permeate the LCD monitor with water or any drink.  
When this happens, turn off the power, unplug the power cord and send the LCD monitor to your local dealer or our service center as soon as possible.
- ⊘. Use a regular power specification of DC 12V . Do not use any other power supply different from the regularity.
- ⊘. Do not place objects on or suspend them with the power cord. This will make the power cord damaged.
- ⊘. Do not assemble or twist the power cord arbitrarily. And do not put it together with heated object.
- ⚠. Do not try to repair the power cord when it is damaged or broken, change a new one immediately.
- ⊘. Avoid any metal objects or inflammable dropping into the LCD monitor from ventilation slots.
- ⊘. Do not attempt to open or disassemble the LCD monitor yourself as this may cause electronic shock.
- ⚠. When there is smile or peculiar smell in use, unplug the power cord immediately and send it to your local dealer or our service center.
- ⚠. When there is damage or breach on the LCD monitor casing, send it to your local dealer or our service center.
- ⊘. Do not use this LCD monitor in the areas susceptible to excessive dust, dirt, and humid.
- ⊘. Do not setup the LCD monitor in direct sunlight, extremely hot, and cold environment.
- ⊘. Do not expose the LCD monitor to rain or moisture.

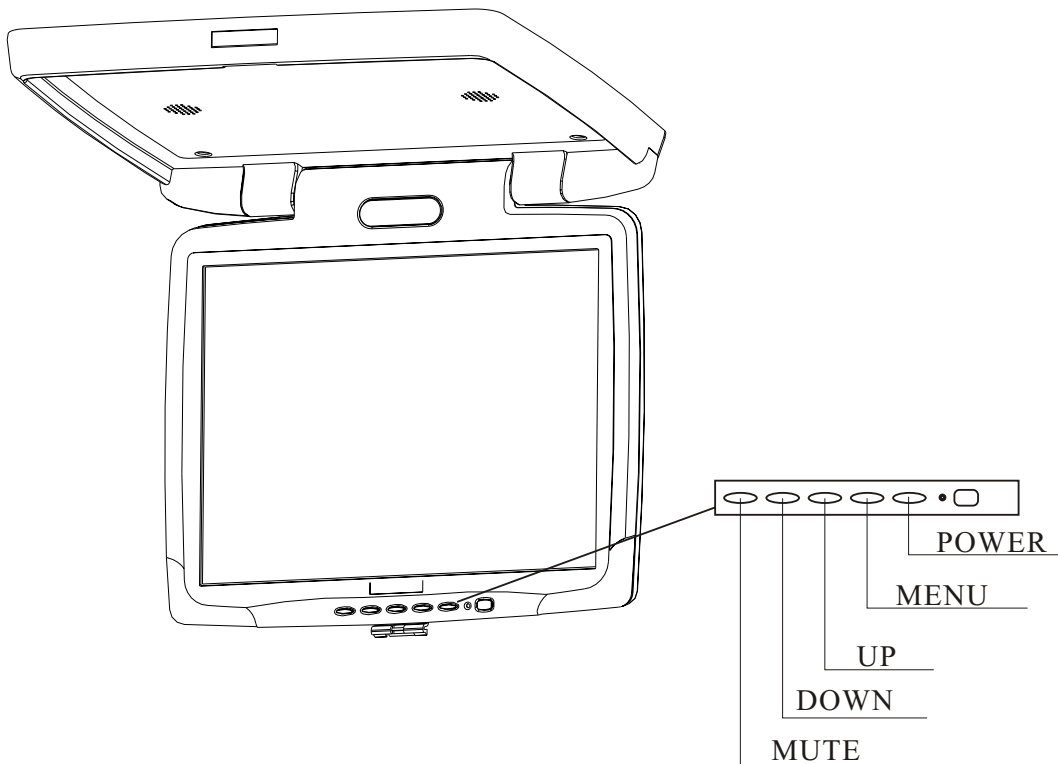
## Package

This LCD monitor comes with all the items below. Check to make sure your unit complete. Contact your dealer immediately if anything is missing.

- \* 15" High RES TFT-LCD Wide Screen Monitor
- \* Overhead Console Mounting Bracket
- \* Credit Card Size Remote Control with Batteries
- \* Interface Cable with RCA jacks for Audio / Video Connection and 12V DC
- \* User's Manual
- \* Warranty Card
- \* Infrared Wireless Headphone

## User Control Overview

- \* Panel Control

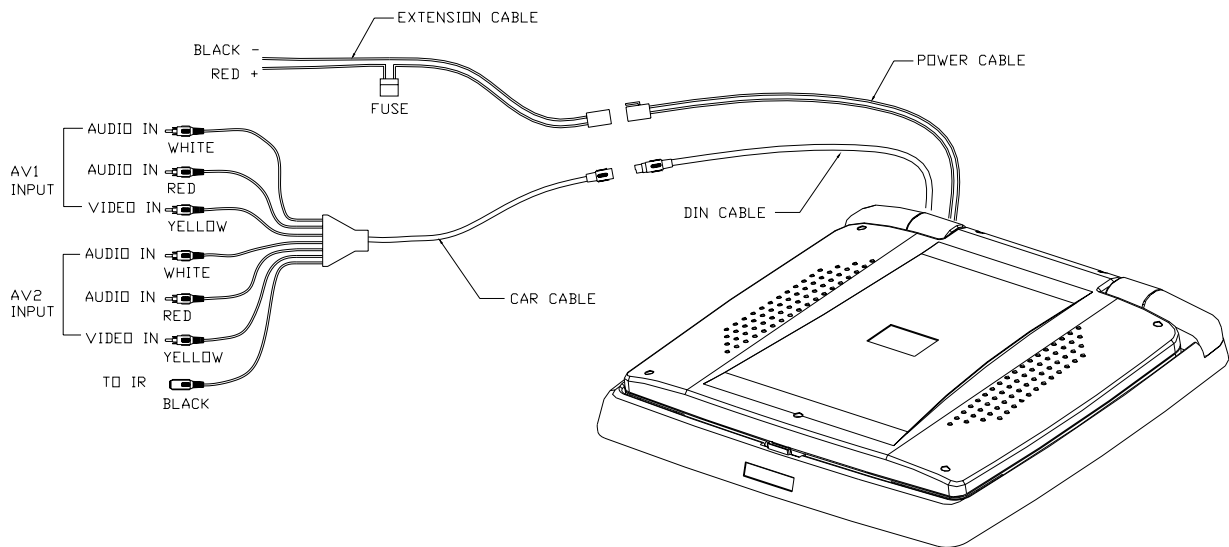


## Function Descriptions

- \* **Power:** You may also turn on or off the monitor by this "Power" button.
- \* **Menu:** By pressing "MENU" button to pop up the OSD menus. When in sub-menu, press "MENU" again to exit the OSD menus
- \* **+/- Keys:**
  1. Press the "+/-" key to increase or decrease volume.
  2. Make item selection in OSD menus to increase or decrease parameters as well.
- \* **Mute:** Press the "Mute" button from the remote control to still the sound of the LCD monitor.

## Start Your Installation

### \* Monitor connection

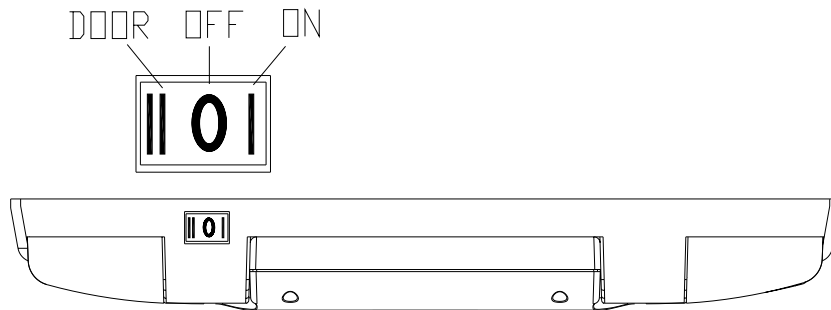


# Setting Up The Dome Lamps

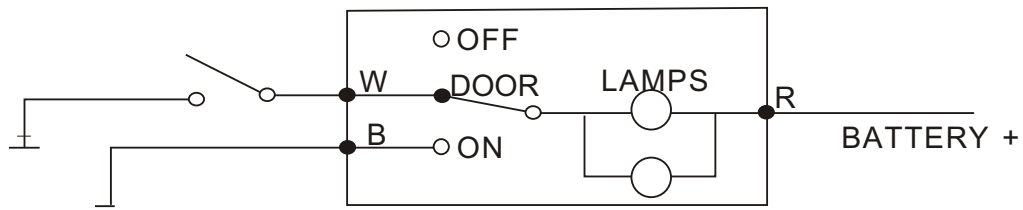
## \*Operating the dome Lamps

1. There are three function buttons for the Dome lamps operation: OFF, DOOR, and ON. (Refer to the following figure)

- A. OFF: To turn off the lamps.
- B. DOOR: To make the lamps turned on only when car doors are opened.
- C. ON: To turn on the lamps.



## \* The electric circuit figure



Point	Power Cord Color	Connection
R	Red	Connecting With Power Supply
W	White	Connecting With Sensor of Car Doors
B	Black	For Ground Connection

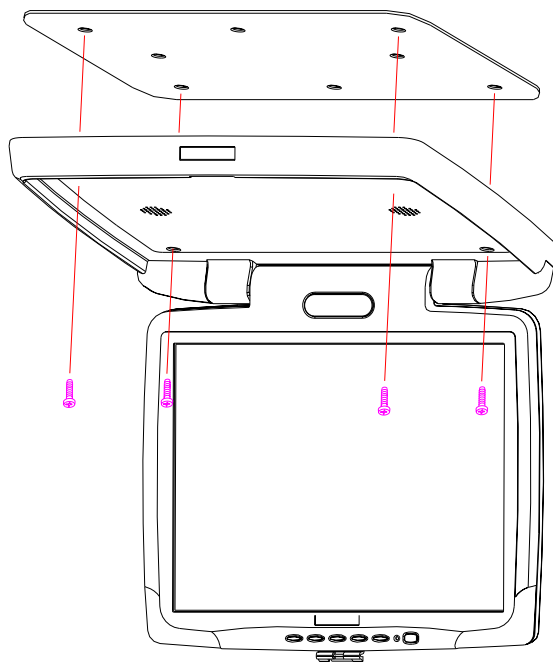
## \* Remarks:

1. There would be no any power cord puling out from "B" point as "B" have been connected with a ground connection by screws.
2. Power supply should be used in 12 Voltages.

## Installation your Monitor

Take care to select a suitable fitting location and securing method for the monitor:

- \*The unit should not distract or obstruct the driver.
- \*The installation should not inhibit the entry to, or the exit from the vehicle.
- \*The unit should not interfere with other vehicle components e,g (sliding sunroof).
- \*Make sure the unit is installed to a secure, robust mounting location and cannot become dislodged in the event of an emergency stop.
- \*Do not support the unit using only the vehicle interior roof lining.
- \*If driving is required, take care not to penetrate through the other sheet metal of the vehicle.
- \*Avoid prolonged use of the monitor when the engine is not running to prevent draining the vehicle battery.
- \*Place the mounting metal plate with the nuts facing upward, then, mount the monitor by screws included



## Operating the Monitor

\* Powering up the monitor

The monitor will be automatically turned on when releasing the monitor from the base unit and "OFF" when it is closed.

## Operating Instructions

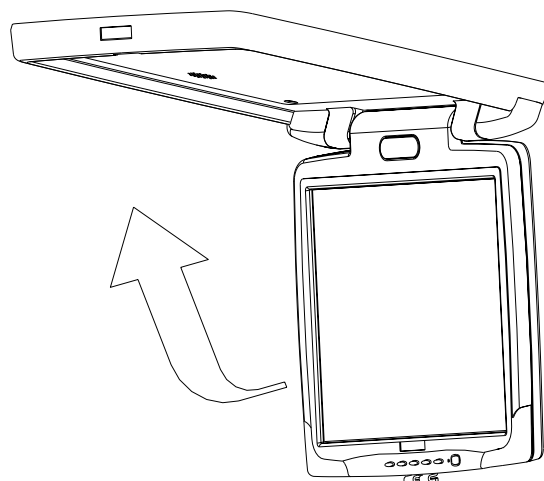
### Opening the Monitor

1. Press the monitor release button to lower the LCD screen.
2. Lower the monitor until it is fixed 90° from the monitor base unit for viewing (Refer to the following figure.)



### Closing Monitor

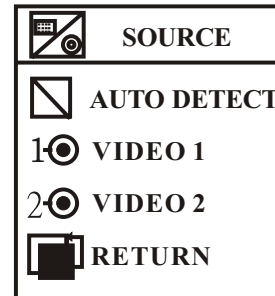
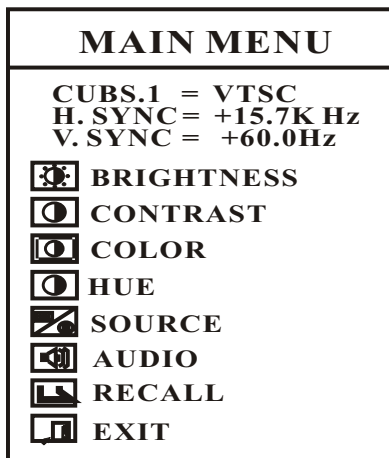
1. Return the monitor to the central viewing position. (Refer to the following figure)
2. Push the monitor back into the monitor base unit until the screen engages with the release button.



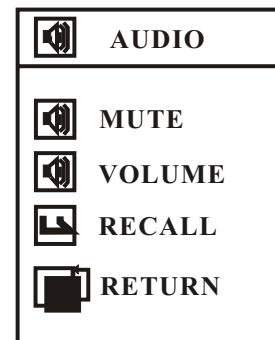


## \* OSD Menus in A/V Source

### A. Source Selection Menu



### B. Audio Input Selection Menu



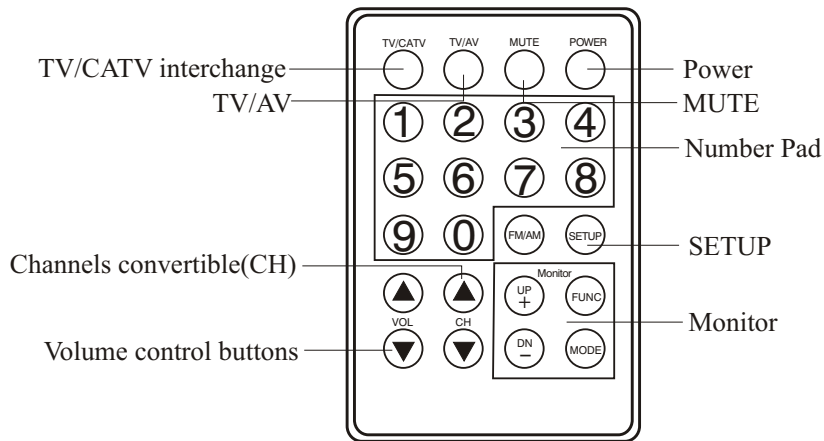
## \* Quick Adjustment OSD Menus

1. By pressing "MENU" button, you may open the MAIN MENU, using "+" or "-" together to pick out OSD functions.
2. In order to select desire options, it is necessary to press "MENU" again to enter each mode, than using "▲"/ "▼" to increase or decrease parameters as well.
3. Press "+" or "-" button directly to adjust speaker volume.



4. Select out of "EXIT" mode to storing your selected parameter and leaving OSD Menus.

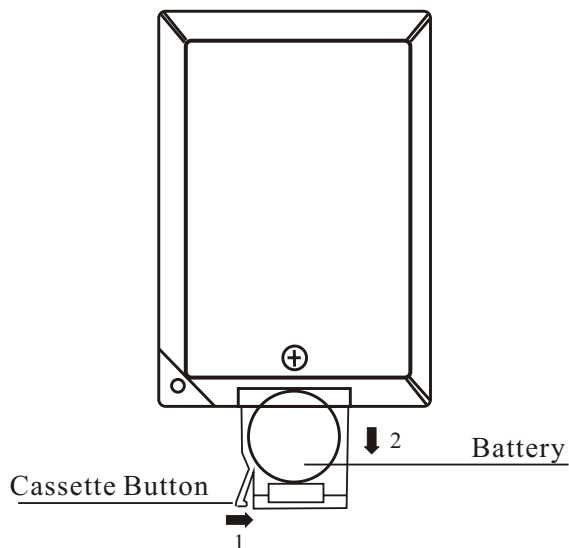
# Remote Control



## Appendix

### Changing the New Battery in Remote Control

1. Push the cassette button to wards the right. (As shown # 1 in below figure)
2. Pull the all battery cassette away from the remote control. As shown # 2 in below figure) Change a new battery.



## Specifications

1. Type	15" Roof Mount Color Display Monitor
2. Signal Input	Sync. : Separate TTL sync. Video : Composite sync. System : NTSC, PAL, SECAM Audio : 1.0Vp-p
3. Display System	Active Matrix High Resolution TFT-LCD Monitor
4. Environment	Operating Temperature : 0°C~35°C Storage Temperature : -20°C~ 60°C Humidity : 20% ~ 90%

15" High Resolution TFT-LCD Wide Screen Flip-Down Monitor With Dome Lights

## Features

- \* Active Matrix High Resolution (1024 H x 768 V) TFT-LCD Monitor
- \* Polarized, Anti-glare, Hard Coated Panel
- \* 300 cd/m<sup>2</sup> brightness for unparalleled picture quality
- \* Viewing Angle: H 70 degree, V 70 degree
- \* Multi-System Video: NTSC/PAL/SECAM
- \* Overhead Console Flip-Down Mounting Bracket Included
- \* Wireless Remote Control Included
- \* On screen Menu
- \* Built-in Twin Dome Lights
- \* Interface Cable with RCA Jacks for Easy Connection
- \* Dual RCA Audio / Video Inputs.
- \* 11~13.8V DC Power source with Noise Filter Circuit
- \* Infrared wireless headphone included